

SG BODY REFLECTOR BASE SG BODY REFLECTOR MUTING



One active and one passive unit to reduce wiring and installation costs
Robust housing for harsh environments
Easy installation and alignment
Reflective muting arms included in L and T muting version
All advanced features associated to muting function

- 2, 3, 4 beams for body protection
- Controlled heights 500, 800, 900 and 1200 mm
- Up to 8 m operating distance
- Simple configuration through DIP switches
- Integrated muting lamp (muting models)
- Anti-interference coding
- External muting enable signal
- Edged or triggered muting dependent override



SAFETY

APPLICATIONS

- Automatic machines
- Robots
- Automatic assembling lines
- Palletizers and Depalletizers



INDUSTRIES

Food & Beverage, Metalworking, Automotive, Wood, Ceramics

	FINGER	HAND	ARM	BODY
TYPE 2				
TYPE 4				•

Active unit

SG4-RB2L-050-00-W

TYPE		MUTING ARMS		MONITORED HEIGHT		VERSION	
4	Type 4	---	Linear version: no muting arms included	050	500 mm (2 beams)	E	Base: without integrated muting function
		L	L muting arms included	080	800 mm (3 beams)	W	Muting: with integrated muting function
		T	T muting arms included	090	900 mm (4beams)		
				120	1200 mm (4 beams)		

Passive unit

SG4-RDB2L-090

TYPE		BEAMS AND RANGE		MUTING ARMS		MONITORED HEIGHT	
4	Type 4	2	2 Beams	---	Linear version: no muting arms included	---	500 mm (2 beams) or 800 mm (3 beams)
		3	3 Beams	L	L muting arms included	090	900 mm (4 beams)
		4	4 Beams	T	T muting arms included	120	1200 mm (4 beams)

SG BODY REFLECTOR BASE SG BODY REFLECTOR MUTING

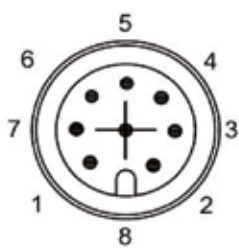
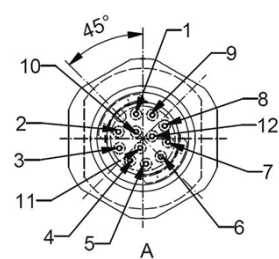
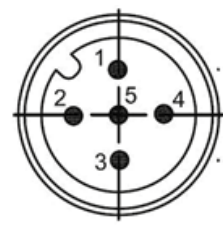
TECHNICAL DATA

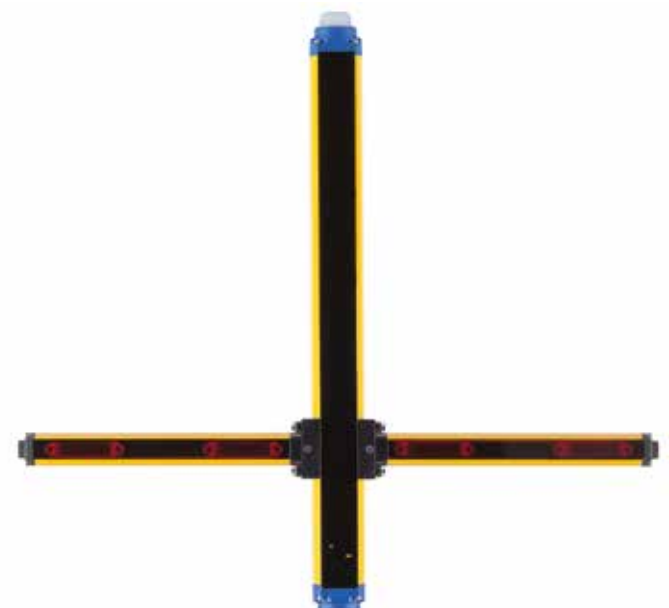
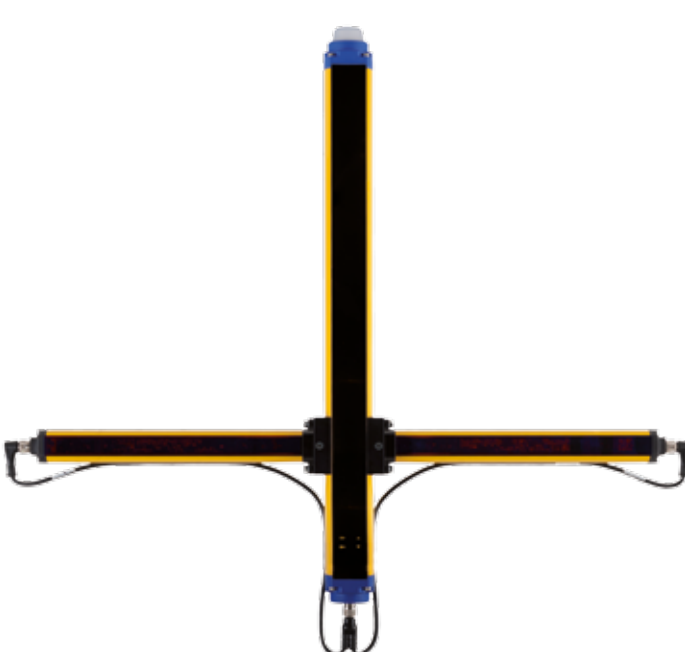
	SG BODY REFLECTOR BASE [SG4-RBx-xxx-00-E] + [SG4-RDBx]	SG BODY REFLECTOR MUTING [SG4-RBx-xxx-00-W] + [SG4-RDBx] [SG4-RBxL/T-xxx-00-W] + [SG4-RDBxL/T]
GENERAL DATA		
Type (EN61496-1)	4	
PL (EN ISO 13849-1)	e	
SIL (IEC 61508)	3	
Resolution	319,75 mm (4 beams) 419,75 mm (3 and 4 beams) 519,75 mm (2 beams)	
Protected height	500 mm (2 beams) 800 mm (3 beams) 900 mm or 1200 (4 beams)	
Operating distance	0.5 ... 8 m 0.5 ... 6.5 m (for SG4-RB4-090-00-E)	0.5 ... 8 m (for SG4-RBx-xxx-00-W) 0.5 ... 6.5 m (for SG4-RB4-090-00-W) 0.5 ... 3 m (for SG4-RBxL/T-00-W)
Retroreflective muting arms operating distance (included in T and L models)		0.5 ... 3 m
Emitter-Receiver muting arms operating distance (not included)	---	0.5 ... 7 m
ELECTRICAL DATA		
Power supply (Vdd)	24 Vdc ± 20%	
Outputs	2 PNP	
Output current	0.5 A max/each output	
Capacitive load	2,2 uF max at 25°C	
Response time	11 ... 12 ms depending on model ^A	
Cables length (for power supply)	70 m max.	
MECHANICAL AND ENVIRONMENTAL DATA		
Operating temperature	0 ... +55 °C	
Humidity	15 ... 95 % (no condensation)	
Mechanical protection	IP 65 (EN 60529)	
FUNCTIONS		
	Manual/Automatic restart	
	External Device Monitoring (EDM)	
	Coding selection with DIP-SW	
	---	T-Muting/L-Muting
		Integrated muting lamp
	---	Muting timeout: 10 min. or ∞
		Integrated muting lamp
	---	Override
	---	Muting enable input
	---	Override status output
	---	Muting filter
	---	Externa muting lamp output

NOTES

^A For detailed informations refer to related Product Datasheet or Manual

CONNECTIONS

	SG BODY REFLECTOR BASE [SG4-RBX-XXX-00-E]	SG BODY REFLECTOR MUTING [SG4-RBX-XXX-00-W] [SG4-RBXL/T-XXX-00-W]
ACTIVE UNIT MAIN CONNECTOR	<p>M12, 8 poles, male</p> <p>1 = white = RESET/RESTART/RESTART MODE 2 = brown = 24V 3 = green = EDM ENABLE 4 = yellow = EDM 5 = grey = OSSD1 6 = pink = OSSD2 7 = blue = 0V 8 = red = EARTH</p> 	<p>M12, 12 poles, male</p> <p>1 = brown = 24Vdc 2 = blue = 0V 3 = white = RESET/RESTART/RESTART MODE 4 = green = OVERRIDE1 5 = pink = OSSD2 6 = yellow = EDM 7 = black = MUTING ENABLE 8 = grey = OSSD1 9 = red = OVERRIDE2 10 = violet = LAMP INPUT 11 = grey-pink = OVERRIDE STATUS 12 = red-blue = EARTH</p> 
ACTIVE UNIT SECONDARY CONNECTOR	<p>---</p> <p>---</p>	<p>M12, 5 poles, male</p> <p>1 = brown = 24Vdc 2 = white = MUTING2 3 = blue = 0V 4 = black = MUTING1</p> 



ACCESSORIES

	SG BODY REFLECTOR BASE [SG4-RBX-XXX-00-E] + [SG4-RDBX]	SG BODY REFLECTOR MUTING [SG4-RBX-XXX-00-W] + [SG4-RDBX] [SG4-RBXL/T-XXX-00-W] + [SG4-RDBXL/T]
BRACKETS		
Included with the light curtain		None
Standard angled brackets (4 pcs)		ST-K4STD-SG-BODY BIG
Rear fixing bracket mounting (4 pcs)		ST-K4REAR-SG BODY BIG
Rotating brackets (4 pcs)		ST-K4ROT-SG BODY BIG
Antivibration support (4 pcs/6 pcs) ^B		ST-K4AV ST-K6AV
Plastic brackets (4 pcs/6 pcs) ^B		ST-KP4MP ST-KP6MP
PROTECTION TUBES, STANDS		
IP67/IP69K Tubes		---
Protective Stands		SG-PSB series ^A
Stand Plate for SG-PSB		SG-P
Protective Stands Mounting Brackets (4 pcs/6 pcs) ^B		ST-PS4-SG BODY ST-PS6-SG BODY
Floor columns		SE-S Series
SAFETY UNITS		
Safety Unit		SE-SR2
EDM Relay Box ^C		CS ME-03VU24-Y14
Safety control unit for single beams and SLC		SG-BWS-T4-MT
ALIGNMENT TOOL		
LASER Pointer		SG-LP
ACCESSORIES FOR MUTING		
Muting arms, brackets and cables	---	See page 70
Muting Connection box ^C	---	SG-SRT-1 or SG-SRT-2
External muting lamps	---	LMS Series

NOTES

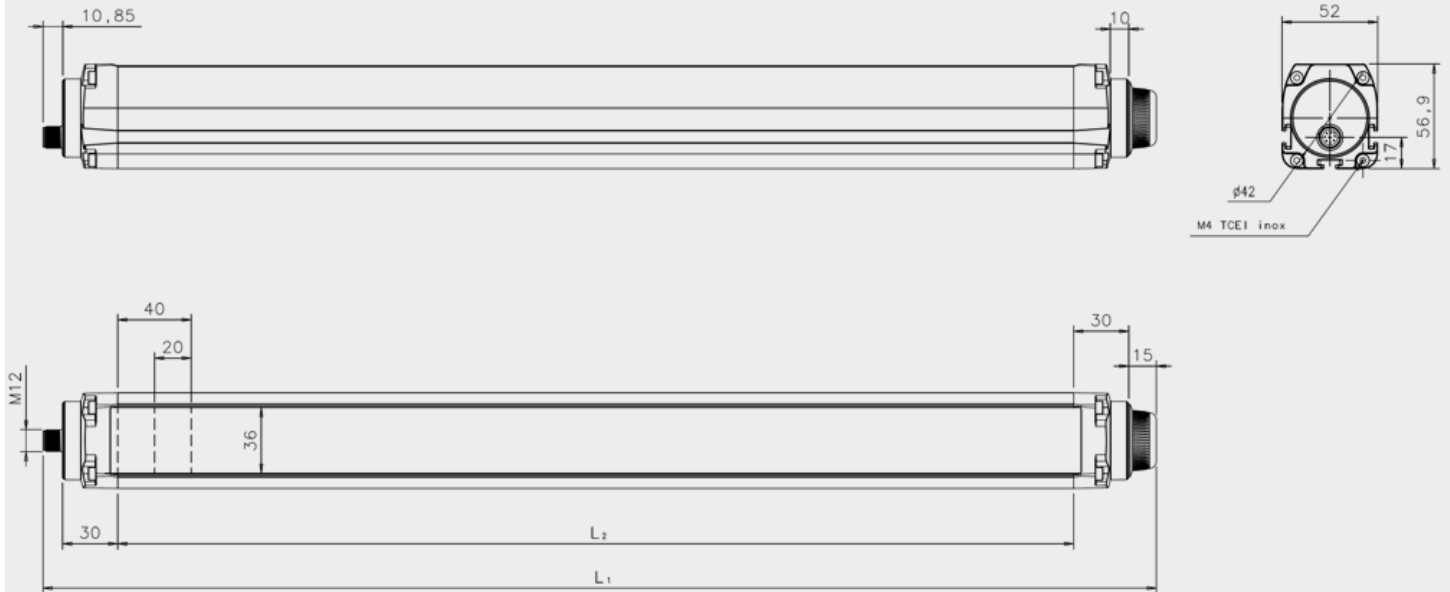
^A Not possible with T or L muting arms mounted

^B Use 6 brackets for light curtains with length \geq 1200 mm

^C When using EDM Relay Box or Muting connection boxes, connect EDM input, and be sure EDM function is active on the safety light curtain

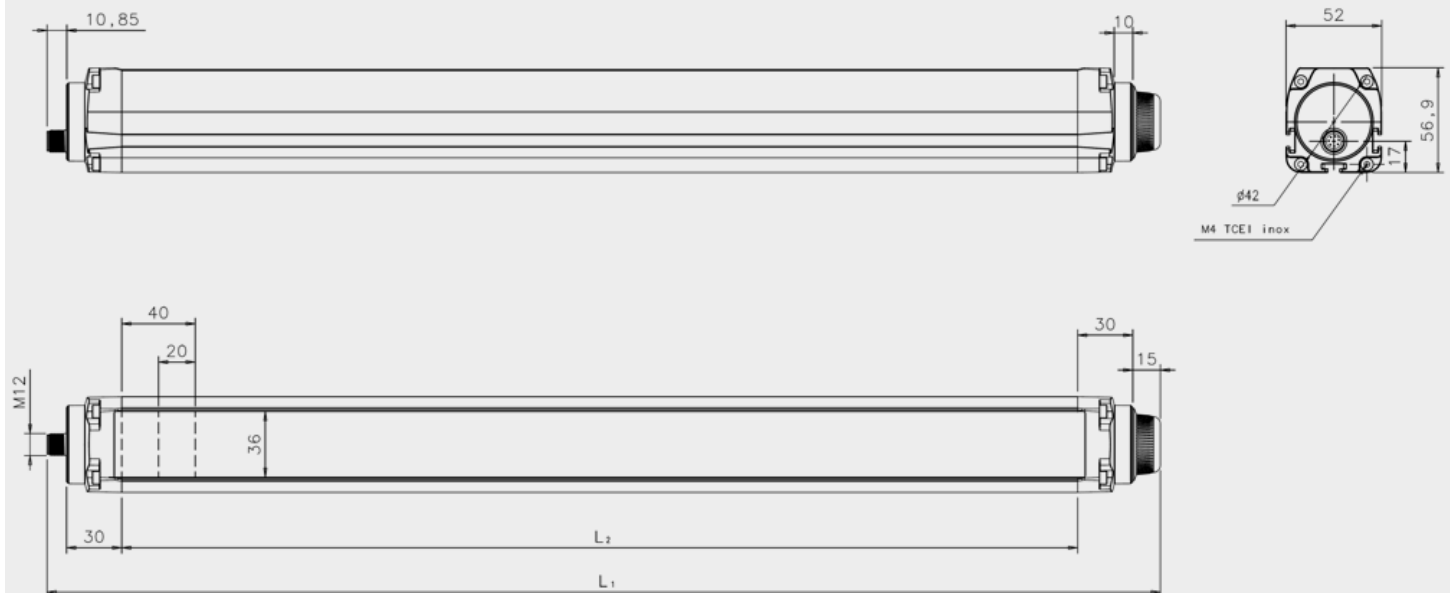
DIMENSIONS

SG BODY REFLECTOR BASE - ACTIVE UNIT



MODEL	L1 [mm]	L2 [mm]
SGx-RB2-050-00-E	606,35	520,5
SGx-RB3-080-00-E	906,35	820,5
SGx-RB4-090-00-E	1006,35	920,5
SGx-RB4-120-00-E	1306,35	1220,5

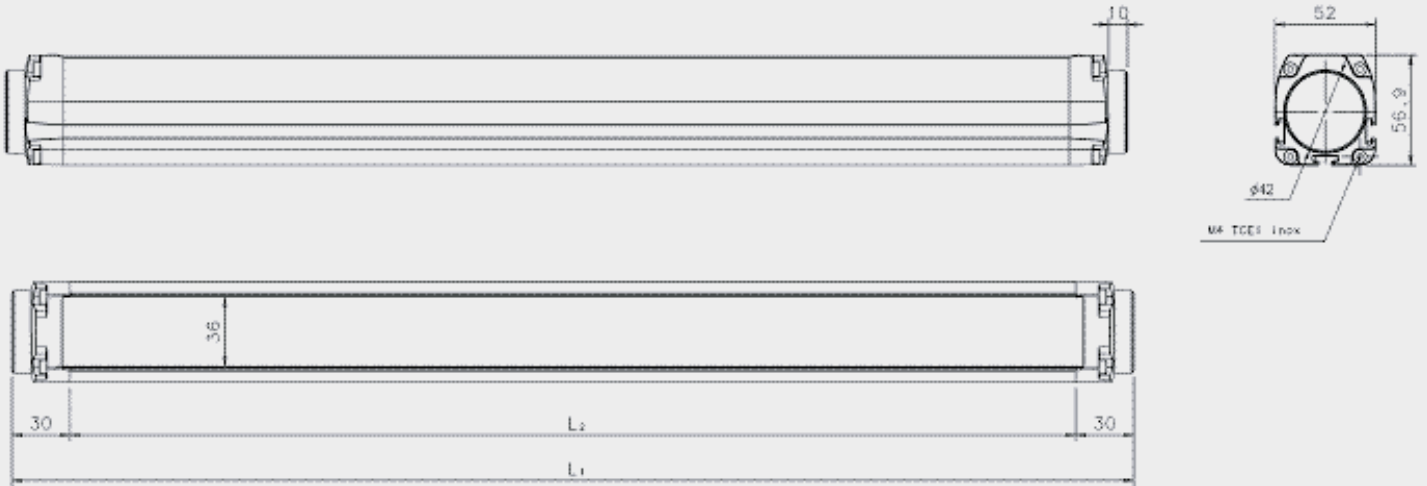
SG BODY REFLECTOR MUTING - ACTIVE UNIT



MODEL	L1 [mm]	L2 [mm]
SGx-RB2y-050-00-W	609,35	520,5
SGx-RB3y-080-00-W	909,35	820,5
SGx-RB4y-090-00-W	1009,35	920,5
SGx-RB4y-120-00-W	1309,35	1220,5

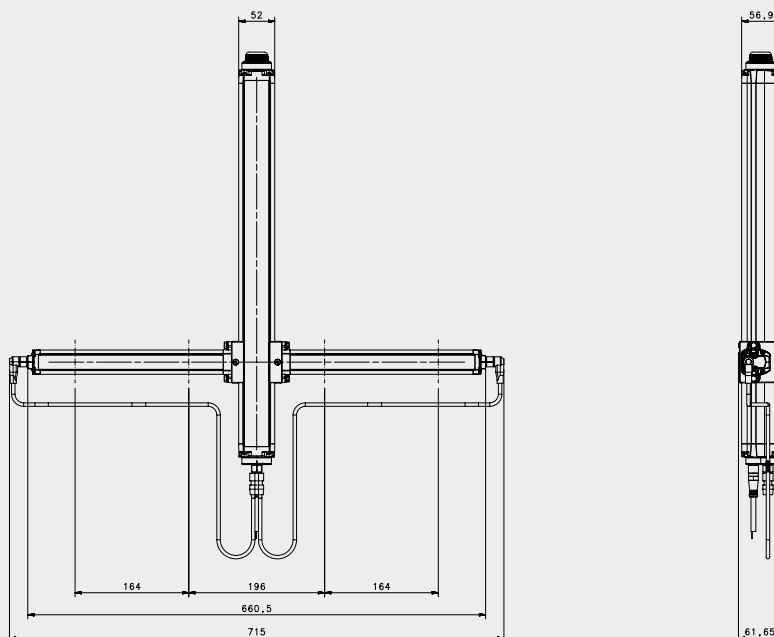
DIMENSIONS

SG BODY REFLECTOR BASE - PASSIVE UNIT ■ SG BODY REFLECTOR MUTING - PASSIVE UNIT



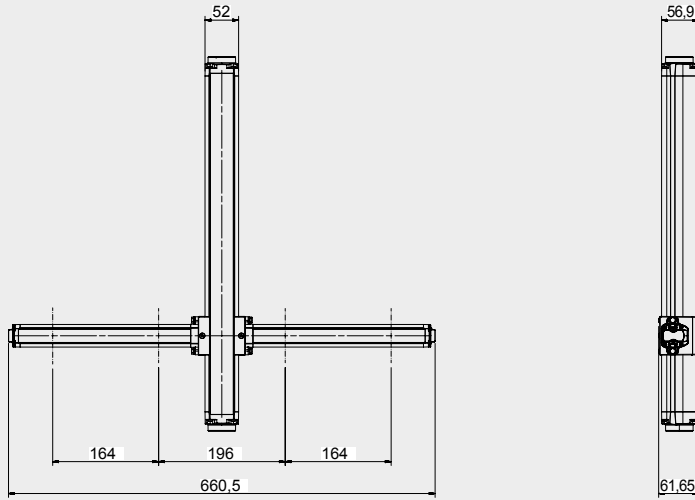
MODEL	L1 [mm]	L2 [mm]
SG4-RDB2	580,5	520,5
SG4-RDB2L	580,5	520,5
SG4-RDB2T	580,5	520,5
SG4-RDB3	880,5	820,5
SG4-RDB3L	880,5	820,5
SG4-RDB3T	880,5	820,5
SG4-RDB4-090	980,5	920,5
SG4-RDB4-120	1280,5	1220,5

SG BODY REFLECTOR BASE WITH T MUTING ARMS - ACTIVE SIDE

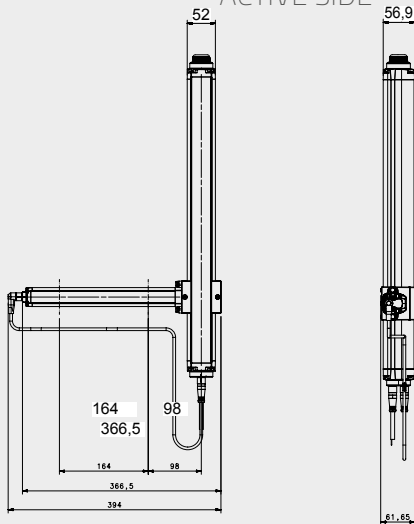


DIMENSIONS

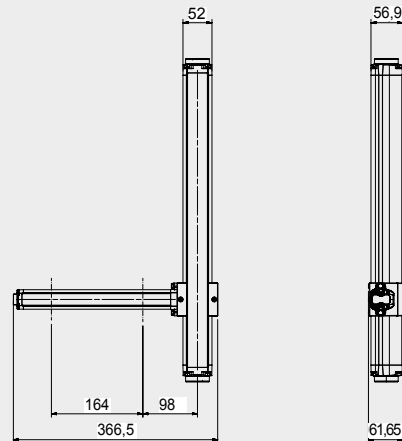
SG BODY REFLECTOR MUTING WITH T MUTING ARMS - PASSIVE SIDE



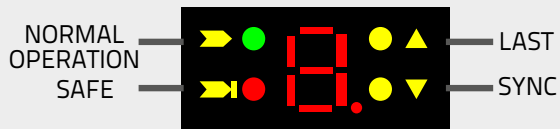
SG BODY REFLECTOR MUTING WITH L MUTING ARM
ACTIVE SIDE



PASSIVE SIDE



INDICATORS



MODEL SELECTION AND ORDER INFORMATION

SG4 BODY REFLECTOR BASE [SG4-RBX-XXX-00-E]		ORDER NUMBER	SG4 BODY REFLECTOR MUTING [SG4-RBX-XXX-00-W]		ORDER NUMBER
ACTIVE SIDE	SG4-RB2-050-00-E	957951000	LINEAR (WITHOUT MUTING ARMS)		
	SG4-RB3-080-00-E	957951010	SG4-RB2-050-00-W		957951030
	SG4-RB4-090-00-E	957951190	SG4-RB3-080-00-W		957951040
	SG4-RB4-120-00-E	957951020	SG4-RB4-090-00-W		957951180
	---	---	SG4-RB4-120-00-W		957951050
	---	---	WITH T MUTING ARMS		
	---	---	SG4-RB2T-050-00-W		957951080
	---	---	SG4-RB3T-080-00-W		957951090
	---	---	WITH L MUTING ARMS		
	---	---	SG4-RB2L-050-00-W		957951060
---	---	SG4-RB3L-080-00-W		957951070	
PASSIVE SIDE	SG4 BODY REFLECTOR BASE [SG4-RDBX] [SG4-RDBX-XXX]		SG4 BODY BIG MUTING [SG4-RDBX] [SG4-RDBXL/T]		ORDER CODE
			LINEAR (WITHOUT MUTING ARMS)		
	SG4-RDB2	957951100	SG4-RDB2		957951100
	SG4-RDB3	957951110	SG4-RDB3		957951110
	SG4-RDB4-090	957951170	SG4-RDB4-090		957951170
	SG4-RDB4-120	957951120	SG4-RDB4-120		957951120
	---	---	WITH T MUTING ARMS		
	---	---	SG4-RDB2T		957951150
	---	---	SG4-RDB3T		957951160
	---	---	WITH L MUTING ARMS		
---	---	SG4-RDB2L		957951130	
---	---	SG4-RDB3L		957951140	

IMPORTANT NOTES

- 1) Active and passive sides must be ordered separately
- 2) Brackets are not included in the SG4 BODY REFLECTOR packing and must be ordered separately (see accessories table)

CABLES

	ACTIVE UNIT (MAIN CONNECTOR)	LENGTH (m)	ORDER CODE
SG4 BODY REFLECTOR BASE [SG4-RBx-xxx-00-E]	CS-A1-06-U-03	3	95ASE1220
	CS-A1-06-U-05	5	95ASE1230
	CS-A1-06-U-10	10	95ASE1240
	CS-A1-06-U-15	15	95ASE1250
	CS-A1-06-U-25	25	95ASE1260
	CS-A1-06-U-50	50	95A252710
SG4 BODY REFLECTOR MUTING [SG4-RBx-xxx-00-W]	CS-A1-10-U-03	3	95A252720
	CS-A1-10-U-05	5	95A252730
	CS-A1-10-U-10	10	95A252740
	CS-A1-10-U-15	15	95A252750
	CS-A1-10-U-25	25	95A252760
	CS-A1-10-U-50	50	95A252770
	ACTIVE UNIT (SECONDARY CONNECTOR)	LENGTH (m)	ORDER CODE
SG4 BODY REFLECTOR MUTING [SG4-RBx-xxx-00-W]	CS-A1-03-U-03	3	95ASE1170
	CS-A1-03-U-05	5	95ASE1180
	CS-A1-03-U-10	10	95ASE1190
	CS-A1-03-U-15	15	95ASE1200
	CS-A1-03-U-25	25	95ASE1210
	CS-A1-03-U-50	50	95A252700

NOTES

All cables have axial connectors