

State-of-the-art technology and versatility
Easily adaptable to the machine structure
Maximum application flexibility with
configurable advanced functions
Complete diagnostic and monitoring online

- No dead zone
- Pigtail cable with M12 connector
- Cascade connection of up to 3 units
- Up to 20m operating range and 1800m protected height
- Compact dimensions (35 x 41 mm section)
- Anti-interference coding
- Integrated Muting function
- Floating Blanking, Fixed Blanking and Reduced Resolution
- Configurable with
 - Autoteaching
 - Pushbuttons for common configuration
 - Graphic User Interface for complete parametrisation
- Ethernet Interface for programming, monitoring and error logging



SAFETY

APPLICATIONS

- Automatic machines
- Robots
- Automatic assembling lines
- Palletizers and Depalletizers

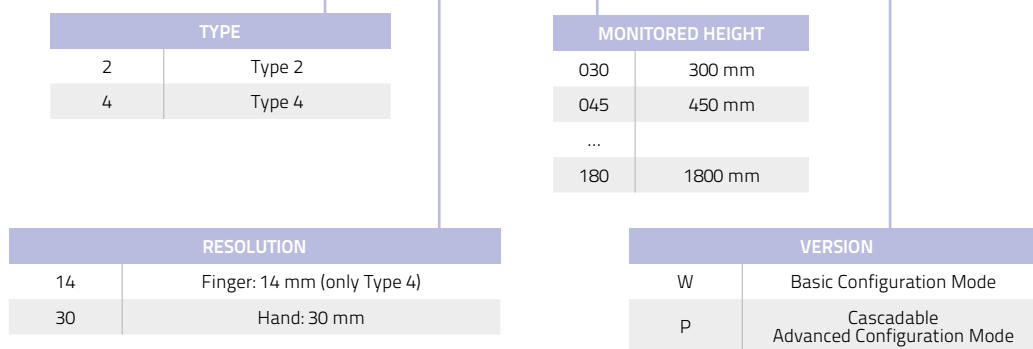


INDUSTRIES

Food & Beverage, Metalworking, Automotive, Wood, Ceramics

	FINGER	HAND	ARM	BODY
TYPE 2		▪		
TYPE 4	▪	▪		

SG4-14-030-00-P



TECHNICAL DATA

	SG2 MUTING [SG2-30-xxx-00-W]	SG4 EXTENDED [SG4-xx-xxx-00-P]
GENERAL DATA		
Type (EN61496-1-2)	2	4
PL (EN ISO 13849-1)	c	e
SIL (IEC 61508)	1	3
Resolution	30 mm	14, 30 mm
Protected height	300 ... 1800 mm (with 150 mm steps)	
Operating distance	0.2 ... 20 m	0.2 ... 7 m (14 mm resolution) 0.2 ... 20 m (30 mm resolution)
Dead Zone	No dead zone	
Cascade connection	---	Up to 3 units ^B
ELECTRICAL DATA		
Power supply (Vdd)	24 Vdc ± 20	
Outputs	2 PNP, with short circuit protection 2 PNP	
Output current	0.5 A max/each output	
Capacitive load	2.2 uF @ 24Vdc max	
Response time	13 ... 22 ms depending on model ^A	13 ... 33 ms depending on model ^A
Cables length (for power supply)	50 m max	
MECHANICAL AND ENVIRONMENTAL DATA		
Operating temperature	0 ... +50 °C	
Humidity	15 ... 95 % (no condensation)	
Mechanical protection	IP 65 (EN 60529)	
FUNCTIONS		
	Test input	
	Manual/Automatic Restart	
	External Device Monitoring (EDM)	
	---	Anti-interference coding
	Range reduction	
	T Muting/L Muting	
	---	Partial Muting
	---	Filter on muting signals
	Muting dependent Override	
	---	Floating Blanking
	---	Fixed Blanking
Max. Number of Blanking Areas	---	5
	---	Reduced Resolution

NOTES

^A The response time depends on model; when a cascaded system is used, depends also on the number of units connected.
For detailed informations refer to related Product Datasheet or Manual.

^B The three units can be one "master" and two "slaves". The maximum "slaves" length can't exceed 1200 mm. The maximum number of beams of the overall system is 160 beams for 30 mm resolution, and 320 beams for 14 mm resolution.

IMPORTANT NOTES:

- 1) The use of any type of blanking is not compatible with the use of Muting and Muting dependent Override.
- 2) In order to use Muting or Blanking with SG4 EXTENDED, the correct pigtail cable must be used (see accessories table)

CONNECTIONS

	SG2 MUTING [SG2-30-XXX-00-W]	SG4 EXTENDED [SG4-XX-XXX-00-P] CONFIGURATION FOR MUTING	SG4 EXTENDED [SG4-XX-XXX-00-P] CONFIGURATION FOR BLANKING
PIGTAIL CABLE FOR EMITTER*		CS-G1-50-B-002 (Order Number 95A252820)	
EMITTER		<p>M12, 5 poles, male</p> <p>1 = brown = 24Vdc; 2 = white = TEST; 3 = blue = 0V; 4 = black = EARTH; 5 = grey = RANGE REDUCTION.</p>	
PIGTAIL CABLE FOR RECEIVER A	CS -R1-75-B-002 (Order Number 95A252810)		CS -G1-70-B-002 (Order Number 95A252830)
RECEIVER MAIN CONNECTOR	<p>M12, 12 poles, male</p> <p>1 = brown = 24Vdc 2 = blue = 0V 3 = white = RESET/RESTART/ALIGN 4 = green = OVERRIDE1 5 = pink = OSSD2 6 = yellow = EDM 7 = black = MUTING DISABLE 8 = grey = OSSD1 9 = red = OVERRIDE2 10 = violet = MUTING LAMP 11 = grey-pink = OVERRIDE STATUS 12 = red-blue = EARTH</p>		<p>M12, 12 poles, male</p> <p>1 = brown = 24Vdc 2 = blue = 0V 3 = white = RESET/RESTART/ALIGN 4 = green = TEACH IN 5 = pink = OSSD2 6 = yellow = EDM 8 = grey = OSSD1 9 = red = TOLERANCE 10 = violet = LAMP 12 = red-blue = EARTH</p>
RECEIVER SECONDARY CONNECTOR		<p>M12, 5 poles, male</p> <p>1 = brown = 24Vdc 2 = white = MUTING2 3 = blue = 0V 4 = black = MUTING1</p>	---

A IMPORTANT NOTES

- 1) The light curtain is sold without pigtail cables: they must be ordered separately for Transmitter and Receiver.
- 2) In case of SG4 EXTENDED, the choice of the Receiver pigtail determines if it will work in Muting configuration or in Blanking configuration.
- 3) In case the SG4 EXTENDED will be installed together with the programming and monitoring interface (DONGLE), the pigtail cable for Receiver isn't needed.
See accessories table for more informations about DONGLE

ACCESSORIES

	SG2 MUTING [SG2-30-XXX-00-W]	SG4 EXTENDED [SG4-XX-XXX-00-P]
BRACKETS		
Standard angled brackets (included)		ST-KSTD
Antivibration support (4 pcs/6 pcs) ^A		ST-K4AV ST-K6AV
Plastic brackets (4 pcs/6 pcs) ^A		ST-KP4MP ST-KP6MP
Orientable brackets (4 pcs/6 pcs) ^A		ST-K4OR ST-K6OR
STANDS		
Protective Stands		SG-PSB series
Stand Plate for SG-PSB		SG-P
Protective Stands Mounting Brackets (4 pcs/6 pcs) ^A		ST-PS4-SG-SE ST-PS6-SG-SE
Floor columns		SE-S Series
MIRRORS		
Deviating Mirrors		SG-DM Series
Deviating Mirrors mounting kit for SG-PSB		ST-PS-DM
Mirror Mounting Bracket		ST-DM
SAFETY UNITS		
Safety Unit		SE-SR2
EDM Relay Box ^B		CS ME-03VU24-Y14
Safety control unit for single beams and SLC		SG-BWS-T4-MT
ALIGNMENT TOOL		
LASER Pointer		SG-LP
COMMUNICATION TOOLS		
Ethernet Adaptor (Dongle)	---	SG4-DONGLE
Ethernet Cable	---	CAB-ETH-M01
CONFIGURATION SOFTWARE		
Monitoring and Programming Software ^C		SG EXTENDED Graphic User Interface ^C
MUTING ACCESSORIES		
External muting lamps		LMS series
Muting arms, brackets and cables		See muting accessories section

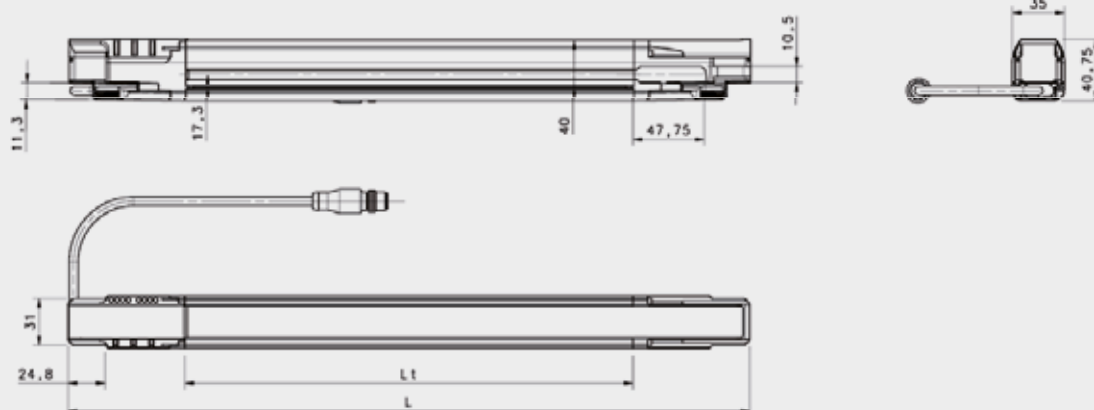
NOTES

^A Use 6 brackets for light curtains with length ≥ 1200 mm

^B When using EDM Relay Box, connect EDM input, and be sure EDM function is active on the safety light curtain

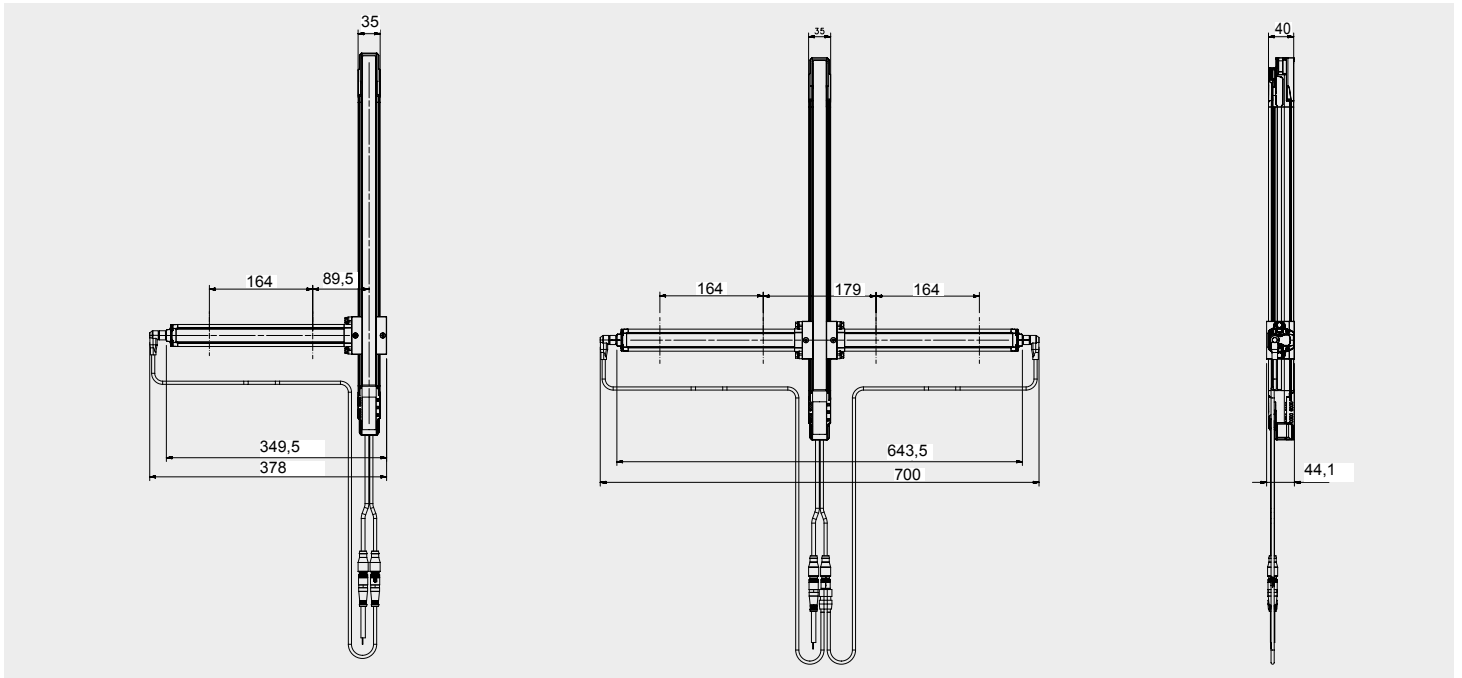
^C SG EXTENDED GUI is available from DATALOGIC website

DIMENSIONS

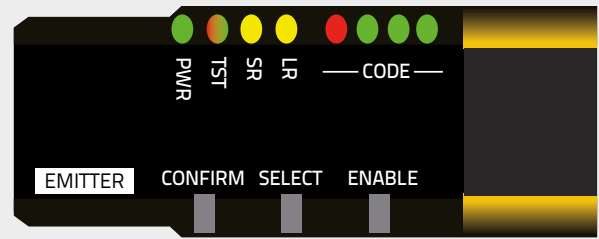
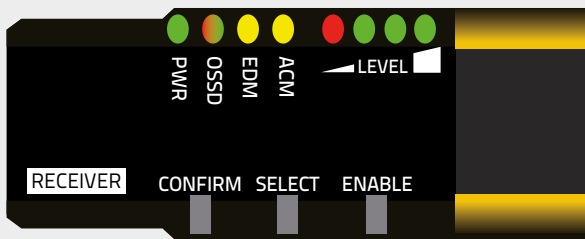


SG2 MUTING	SG4 EXTENDED	Lt (mm)	L (mm)
SG2-xx-030-00-W	SG4-xx-030-00-P	150	306,3
SG2-xx-045-00-W	SG4-xx-045-00-P	300	456,3
SG2-xx-060-00-W	SG4-xx-060-00-P	450	606,3
SG2-xx-075-00-W	SG4-xx-075-00-P	600	756,3
SG2-xx-090-00-W	SG4-xx-090-00-P	750	906,3
SG2-xx-105-00-W	SG4-xx-105-00-P	900	1056,3
SG2-xx-120-00-W	SG4-xx-120-00-P	1050	1206,3
SG2-xx-135-00-W	SG4-xx-135-00-P	1200	1356,3
SG2-xx-150-00-W	SG4-xx-150-00-P	1350	1506,3
SG2-xx-165-00-W	SG4-xx-165-00-P	1500	1656,3
SG2-xx-180-00-W	SG4-xx-180-00-P	1650	1806,3

SG2 MUTING SG4 EXTENDED



INDICATORS



AVAILABLE MODELS AND ORDER CODES

	SG2 MUTING [SG2-30-XXX-00-W]	ORDER NUMBER	SG4 EXTENDED [SG4-XX-XXX-00-P]	ORDER NUMBER
FINGER PROTECTION	---		SG4-14-030-00-P	957901240
	---		SG4-14-045-00-P	957901250
	---		SG4-14-060-00-P	957901260
	---		SG4-14-075-00-P	957901270
	---		SG4-14-090-00-P	957901280
	---		SG4-14-105-00-P	957901290
	---		SG4-14-120-00-P	957901300
	---		SG4-14-135-00-P	957901310
	---		SG4-14-150-00-P	957901320
	---		SG4-14-165-00-P	957901330
HAND PROTECTION	---		SG4-14-180-00-P	957901340
	SG2-30-030-00-W	957801700	SG4-30-030-00-P	957901350
	SG2-30-045-00-W	957801710	SG4-30-045-00-P	957901360
	SG2-30-060-00-W	957801720	SG4-30-060-00-P	957901370
	SG2-30-075-00-W	957801730	SG4-30-075-00-P	957901380
	SG2-30-090-00-W	957801740	SG4-30-090-00-P	957901390
	SG2-30-105-00-W	957801750	SG4-30-105-00-P	957901400
	SG2-30-120-00-W	957801760	SG4-30-120-00-P	957901410
	SG2-30-135-00-W	957801770	SG4-30-135-00-P	957901420
	SG2-30-150-00-W	957801780	SG4-30-150-00-P	957901430
SG2-30-165-00-W	957801790	SG4-30-165-00-P	957901440	
SG2-30-180-00-W	957801800	SG4-30-180-00-P	957901450	

NOTES

^A The light curtain is sold without pigtail cables: they must be ordered separately for Transmitter and Receiver. In case of SG4 EXTENDED, the choice of the Receiver pigtail determines in Muting configuration or Blanking configuration. For cascade configurations, other cables are available to connect the cascaded units: refer to the accessories table.

CABLE ORDER CODES

PIGTAIL CABLES/INTERFACE SELECTION TABLE					
		PIGTAIL CABLE/INTERFACE	LENGTH (m)	ORDER CODE	
SG2 MUTING [SG2-30-XXX-00-W]	TRANSMITTER	CS-G1-50-B-002	0.2	95A252820	
	RECEIVER	CS-R1-75-B-002	0.2	95A252810	
SG4 EXTENDED [SG4-XX-XXX-00-P]	TRANSMITTER	CS-G1-50-B-002	0.2	95A252820	
		BLANKING CONFIGURATION			
	RECEIVER	CS-G1-70-B-002	0.2	95A252830	
		MUTING CONFIGURATION			
		CS-R1-75-B-002	0.2	95A252810	
		DONGLE			
	SG4-DONGLE	---	95ASE2080		

NOTES

- 1) The light curtain is sold without pigtail cables: they must be ordered separately for Transmitter and Receiver.
- 2) For SG4 EXTENDED, the pigtail cable used determines if the light curtain will work in Muting configuration or in Blanking configuration. If, in place of the pigtail cable, the Dongle is used for receiver, the light curtain can work in both configurations. When muting and blanking are not needed, Dongle or pigtail cable CS-G1-70-B-002 are suggested
- 3) If SG4 EXTENDED receiver is connected to the programming and monitoring interface (DONGLE), the pigtail cable for Receiver isn't needed.
- 4) In order to install SG4 EXTENDED or SG2 MUTING in place of SE series safety light curtains, without changing any wiring, it can be used the cable CS-G1-60-B-002 (order n. 95A252910) for receiver. All functions of SE will be available, except Override.



CS-G1-50-B-002



CS-G1-70-B-002



CS-R1-75-B-002

CABLES SELECTION TABLE					
	TRANSMITTER/RECEIVER SECONDARY CONNECTOR	LENGTH (m)	ORDER CODE		
SG2 MUTING [SG2-30-xxx-00-W] SG4 EXTENDED [SG4-xx-xxx-00-P]	CS-A1-03-U-03	3	95ASE1170		
	CS-A1-03-U-05	5	95ASE1180		
	CS-A1-03-U-10	10	95ASE1190		
	CS-A1-03-U-15	15	95ASE1200		
	CS-A1-03-U-25	25	95ASE1210		
	CS-A1-03-U-50	50	95A252700		
	RECEIVER MAIN CONNECTOR		LENGTH (m)	ORDER CODE	
		CS-A1-10-U-03	3	95A252720	
		CS-A1-10-U-05	5	95A252730	
		CS-A1-10-U-10	10	95A252740	
		CS-A1-10-U-15	15	95A252750	
		CS-A1-10-U-25	25	95A252760	
	CS-A1-10-U-50	50	95A252770		

CASCADE CABLES			
MODEL	LENGTH (m)	ORDER CODE	
CS-F1-80-B-01	1	95A252840	
CS-F1-80-B-005	0.5	95A252850	
CS-F1-80-B-0005	0.05	95A252860	



ETHERNET CABLES			
MODEL	LENGTH (m)	ORDER CODE	
CAB-ETH-M01 M12-IP67	1	93A051346	
CAB-ETH-M03 M12-IP67	3	93A051347	
CAB-ETH-M05 M12-IP67	5	93A051348	

