



IDENTIFICATION

APPLICATIONS

Connection modules connect 2K, 4K, 6K, 8K and Matrix family to host system. Provide also connectivity to most important fieldbus network.

ADVANTAGES

- Designed to speed up installation, configuration and maintenance tasks for Datalogic Automation's 1D/2D code readers
- Ownership costs are considerably lowered by reduced installation time, and, in cases of replacement, by minimized system down time
- Installation is simplified thanks to accessible through holes for mounting screws with closed box.
- Pinout standardization simplifies wiring to the appropriate terminal block
- IP65 (NEMA 4) protection class and 0 to 50 °C (32 to 122 °F) operating temperature.

HIGHLIGHTS

- Standard connectivity solution for Datalogic Automation offer
- Extremely low cost of ownership
- IP65 (NEMA 4) rated industrial design
- Flexible mounting and simplified wiring to speed up the installation
- Reliable Backup and Restore feature to minimize plant downtime
- Open architecture allows comfortable connectivity to Ethernet TCP/IP, Profibus, DeviceNet, Ethernet/IP and other common networks.
- Multilanguage Display for easy monitoring and troubleshooting
- Visible Power and I/O indicators and Power On/Off switch

GENERAL DESCRIPTION

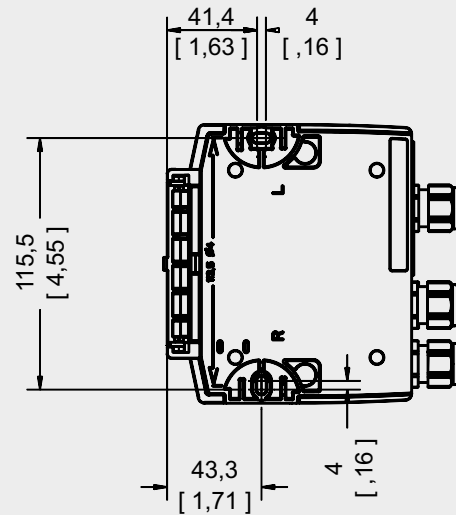
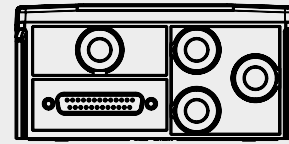
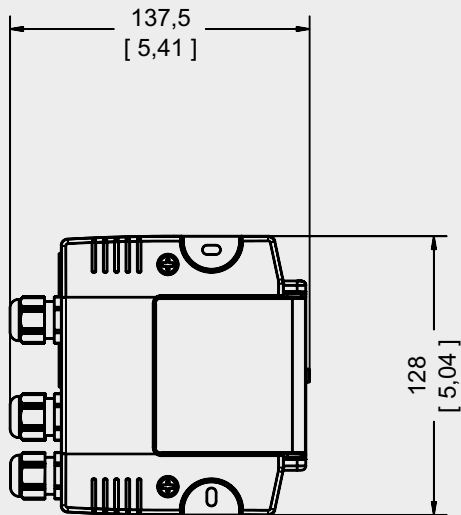
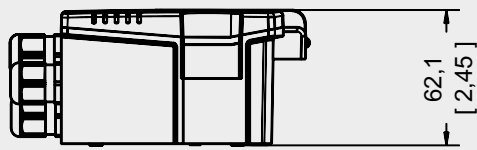
The CBX100 and CBX500 are industrial connection boxes designed to speed up Datalogic Automation 1D/2D code readers installation, configuration and maintenance tasks. CBX100 and CBX500 feature an extremely low cost of ownership by reducing installation time, and, in cases of replacement, minimizing system downtime.

CBX100 and CBX500 feature IP65 (NEMA 4) protection class and 0 to 50 °C (32 to 122 °F) operating temperature. With its specific plastic and rubber materials, CBX100LT dedicated model features an operating temperature down to -35°C (-31°F).

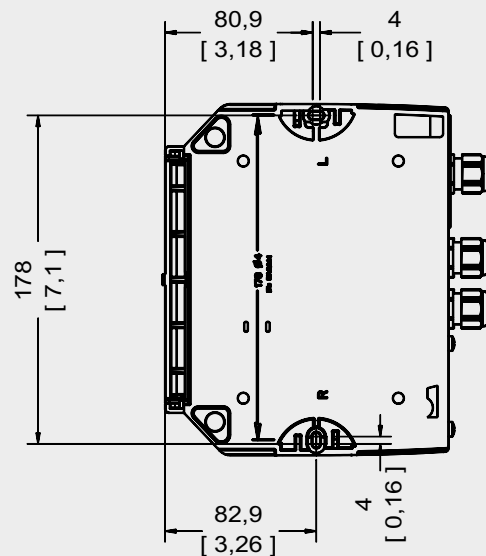
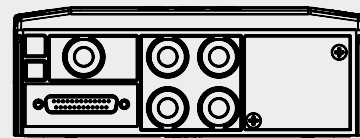
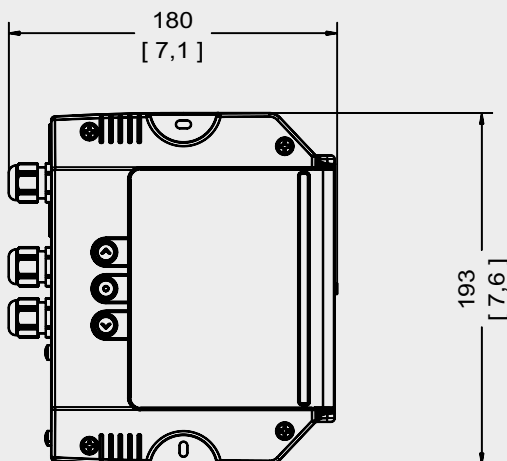
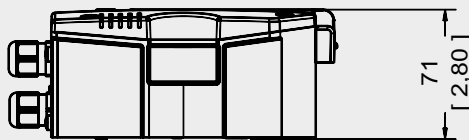


DIMENSIONS

CBX100



CBX500



mm / inch

MODELS AND ACCESSORIES

| MODELS | |
|-------------|---|
| Order No. | Description |
| 93A301067 | CBX100 CONNECTION BOX COMPACT |
| 93A301068 | CBX500 CONNECTION BOX MODULAR |
| 93A301069 | CBX100LT CONNECTION BOX COMPACT LOW TEMP. |
| ACCESSORIES | |
| Order No. | Description |
| 93ACC1808 | BM100 BACKUP MODULE CBX100 CBX500 |
| 93ACC1809 | BM150 DISPLAY MODULE CBX500 |
| 93ACC1851 | BM200 ETHERNET TCP/IP MODULE CBX500 |
| 93ACC1852 | BM210 ETHERNET TCP/IP IP65 MODULE CBX500 |
| 93ACC1810 | BM300 PROFIBUS MODULE CBX500 |
| 93ACC1811 | BM310 PROFIBUS IP65 MODULE CBX500 |
| 93ACC1814 | BM400 DEVICENET MODULE CBX500 |
| 93ACC1812 | BM500 ETHERNET/IP MODULE CBX500 |
| 93ACC1813 | BM510 ETHERNET/IP IP65 MODULE CBX500 |
| 93ACC1840 | BM520 ETHERNET/IP IP54 MODULE CBX500 |
| 93ACC1815 | BM600 CAN OPEN MODULE CBX500 |
| 93ACC1816 | BM700 PROFINET MODULE CBX500 |
| 93ACC1845 | BM1100 CC-LINK MODULE CBX500 |
| 93ACC1848 | BM1200 MODBUS TCP MODULE CBX500 |
| 93ACC1849 | BM1210 MODBUS TCP IP65 MODULE CBX500 |
| 93ACC1821 | BA100 DIN RAIL ADAPTERS CBX100 CBX500 |
| 93ACC1822 | BA200 BOSCH ADAPTERS CBX100 CBX500 |
| 93ACC1847 | BA900 TWO CABLE GLANDS PANEL CBX500 |
| 93ACC1877 | BA300 M12 3P F. PANEL CONN. (SERVICE) |
| 93ACC1853 | BA400 M12 3P M. PANEL CONN. (EXT.POWER) |
| 93ACC1854 | BA500 M12 4P F. PANEL CONN. (TRIGGER) |
| 93ACC1855 | BA600 M12 5P F. PANEL CONN. (ID-NET OUT) |
| 93ACC1856 | BA700 M12 5P M. PANEL CONN. (ID-NET IN) |

TECHNICAL DATA

| MODELS | CBX100 | CBX500 |
|------------------------------|--|--|
| Dimensions | 128 x 138 x 62 mm | 193 x 180 x 71 mm |
| Weight | 380 g. (13.40 oz.) | 780 g. (27.5 oz.) |
| Power supply | 10 to 30 VDC | |
| Power consumption | 2,5 W max | |
| Operating temperature | 0 to 50 °C (32 to 122 °F) | |
| Storage temperature | -20 to 70 °C (-4 to 158 °F) | |
| Humidity | 90% non condensing | |
| Protection class | IP65 | |
| Shock resistance | EN 60068-2-27 30G; 11ms; 3 shocks on each axis | |
| Vibration resistance | EN 60068-2-6 1.5mm; 10 to 55 Hz; 2 hours on each axis | |
| Display & keypad | 20 x 4 characters & 3 keys | |
| Diagnostic leds | Power On/Polarity Error, Trigger, IN2, OUT1, OUT2 | |
| Communication protocol | Datalogic Application Driver (DAD Driver) | |
| Handshaking | Message fragmentation and flow control | |
| Address setting | HW Switches, Genius™, VisiSet™ | |
| Exchange memory for i/o data | Up to 128 bytes | |
| Compatible devices | DS2100N, DS2400N, DS4800, DS6300, DS6400, DX6400, DS8100A, DX8200A, MATRIX-2000™, MATRIX 200™, MATRIX 400™ | DS2100N, DS2400N, DS4800, MATRIX 200™, MATRIX 400™ |